

**TERRAZZO WHEELCHAIR  
SHOWER RECEPTOR**

- No threshold terrazzo wheelchair receptor with stainless steel strainer plate and stainless steel ramp.
- One piece floor fabricated from precast terrazzo, made of black and white marble chips cast in white Portland cement.
- Min compressive strength of 3,000 p.s.i. after seven days of curing.
- Factory grounded and polished to remove air holes and/or excess pits grouted.
- Min shoulder of 4" high inside, 6" high outside, with a min of 1-1/2" wide.
- Integral tiling flange made of galvanized bonderized steel with min of 1" above shoulder.
- Stainless steel and cast integral drain provide a min caulked lead connection of 1" deep, to a 2" pipe. Quick drain connection using a QDC-4 connector can also be used.
- Wheelchair accessible.



**Nominal Dimensions:**

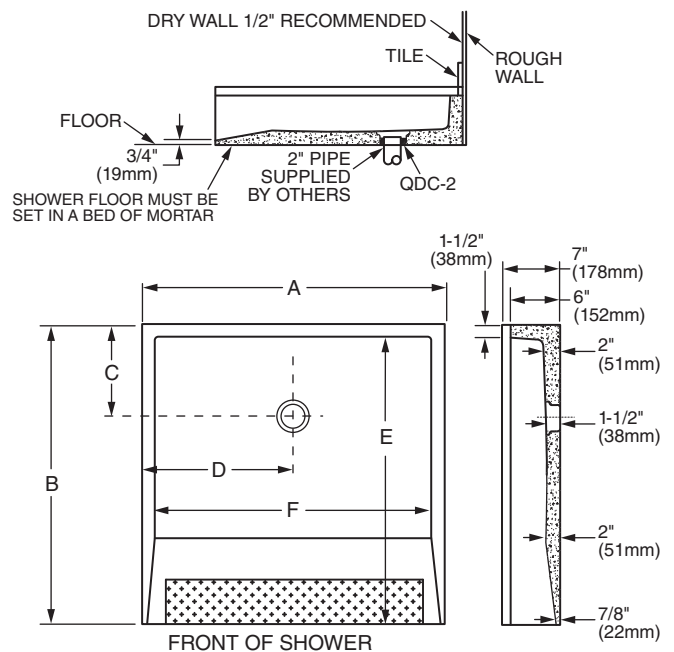
- ❑ **ADAWN3636** 41.23" x 38.62" (1047 x 981mm)
- ❑ **ADAWN6030** 65.23" x 32.62" (1657 x 921mm)
- ❑ **ADAWN6036** 65.23" x 38.62" (1657 x 981mm)

**NOTES:**

Establish 1/4" clearance between shower floor and wall. It is required that the entire area between the receptor and the building floor have a 1/2" layer of mortar in order that shower floors be level.

It is recommended that a floor drain be installed at or near the entrance of the shower.

**IMPORTANT:** Rough-in dimensions may vary 1/2" and are subject to change or cancellation without prior notice.



	OUTSIDE DIMENSIONS				MINIMUM INSIDE DIMENSIONS	
	A	B	C	D	E	F
ADAWN-3636	41.23" (1047mm)	38.62" (981mm)	12.19" (310mm)	20.62" (524mm)	36" (914mm)	36" (914mm)
ADAWN-6030	65.23" (1657mm)	32.62" (921mm)	12.19" (310mm)	32.62" (829mm)	30" (762mm)	60" (1542mm)
ADAWN-6036	65.23" (1657mm)	38.62" (981mm)	12.19" (310mm)	32.62" (829mm)	36" (914mm)	60" (1542mm)