

**COMMANDER SHOWER CABINET**

☐ **S-115 & S-125**

**Product Features:**

- The inner and outer surfaces are galvanized-bonderized steel finished in white synthetic baked-on enamel. The back and side wall panels are joined with anodized aluminum extruded molding. Core is water impervious insulation laminated to wall panels with water proof adhesive. The top frame is a one-piece tubular construction welded together. All field assembled joints are double barrier type to assure leakproof connections. Critical wall areas are additionally reinforced to accept grab bars and seat.
- Shower floor, a one-piece, 6" high terrazzo made from white cement with black and white marble chips.
- Receptor has an integral stainless steel entry cap. For wheelchair accessibility the receptor threshold entry height of 1/2", complying with the barrier requirements of ANSI standard A117.1. Tilting flange cast integral of galvanized-bonderized steel and are extend not less than 1 1/2" above the shoulder. Shoulder not less than 4" high inside, and not less than 3" wide. Flange cover strips supplied for exposed receptor flanges are specified as left hand or right hand or back as required in matching finish to exterior walls.
- Drain body is stainless steel cast integral with a removable stainless steel strainer plate, and shall provide for caulked lead connection not less than 1" deep to a 2" pipe. It is recommended that a floor drain at the entrance to the shower be also included.
- Inner surfaces to be of stainless steel, series #304 no. 4B finish. Outer surface to be of galvanized-bonderized steel finished in white synthetic baked-on enamel, or series #304 no. 4B finish stainless steel.
- Includes pressure balanced, single lever valve (180AA), hand held shower head with swivel fitting, 69" (1753mm) flexible stainless steel hose with in-line vacuum breaker, retractable phenolic shower seat with stainless steel frame, one (1) wrap-around stainless steel grab bar, one (1) vertical stainless steel grab bar, curtain rod, 10 oz. GSA approved curtain.



SEE REVERSE FOR ROUGHING-IN DIMENSIONS

**Options:**

- Thermostatically controlled, single lever mixing valve with service stops. (model T-162AA)
- Top cover is stainless steel or painted, galvanized-bonderized steel matching the interior wall finish.
- Thermal protected dome light, 60 watt, recessed, round shower light for use with top cover.

**Notes:**

- Establish a 1/4" clearance between building walls and shower floor. All units must be leveled and set in a bed of mortar.
- Terrazzo floors conform to federal specification WW-P-541 requirements.

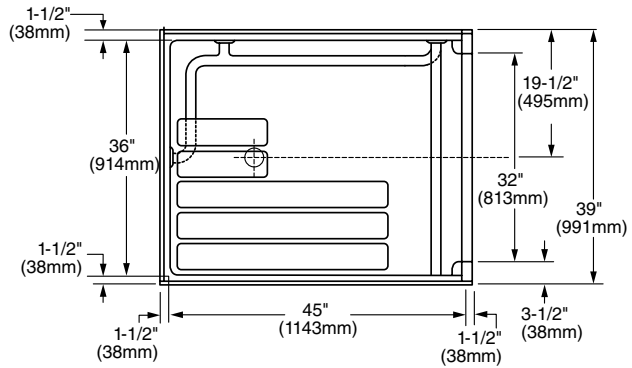
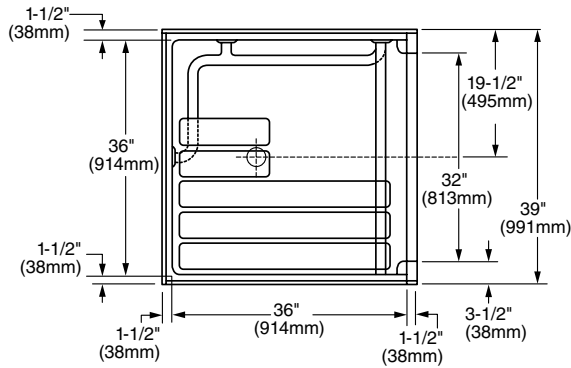
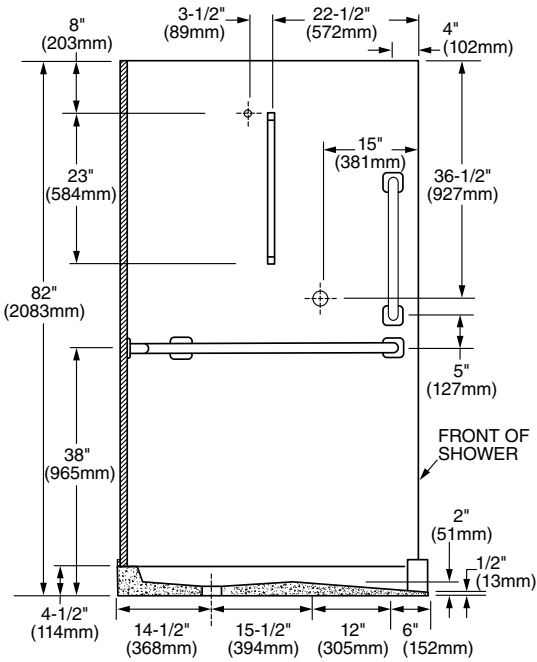
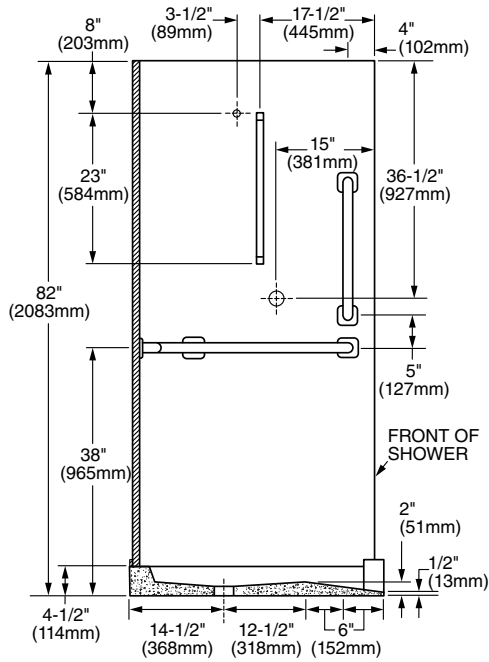
**Nominal Dimensions:**

S-115 LH or RH size: 39" x 39" x 82" (991 x 991 x 2083mm)

S-125 size: 39" x 48" x 82" (991 x 1219 x 2083mm)


(both shall have a clearance of 32")

\* Not furnished by Fiat Products.  
Description for specification purposes only.



**MODEL S-115**

**MODEL S-125**

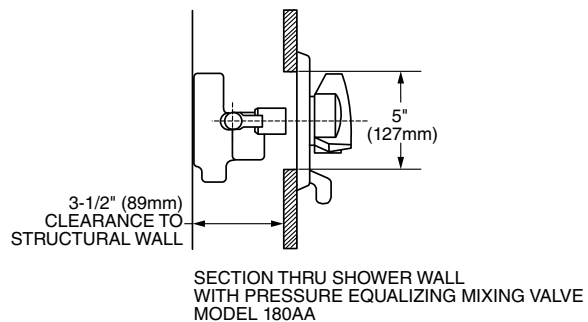
 S-115 complies with Americans With Disabilities Act

**IMPORTANT:**

Roughing-in dimensions may vary 1/2" and are subject to change or cancellation without prior notice. No responsibility is assumed for use of superseded or voided leaflets.

**NOTES:**

Anti-skid floor treatment meets performance requirements of ASTM F-462-78. Factory installed components are provided with additional back reinforcements to provide code complying structural integrity and are sealed from the backside.



**Customer Service Canada**  
1-800-387-0369  
www.fiat.ca

**Customer Service United States**  
1-800-442-1902  
www.fiatproducts.com