

**Floor Mounted Laundry Sink
Single Compartment**



FEATURES

• **Floor Mounted Poly Tub:**

Model P-1 Single basin poly tub shall be furnished with and supported by white baked enamel steel angle legs that slip into molded sockets for rigid friction fit. Legs are supplied with leveling devices. Unit comes with 4" or 8" faucet knockout (field installed).

Model P-1: 24" x 20" x 15 3/4" outside and inside compartment dimensions of 19" x 17 1/2" x 14 1/2".

Model P-6: Same as above except packed 6 units to a carton.

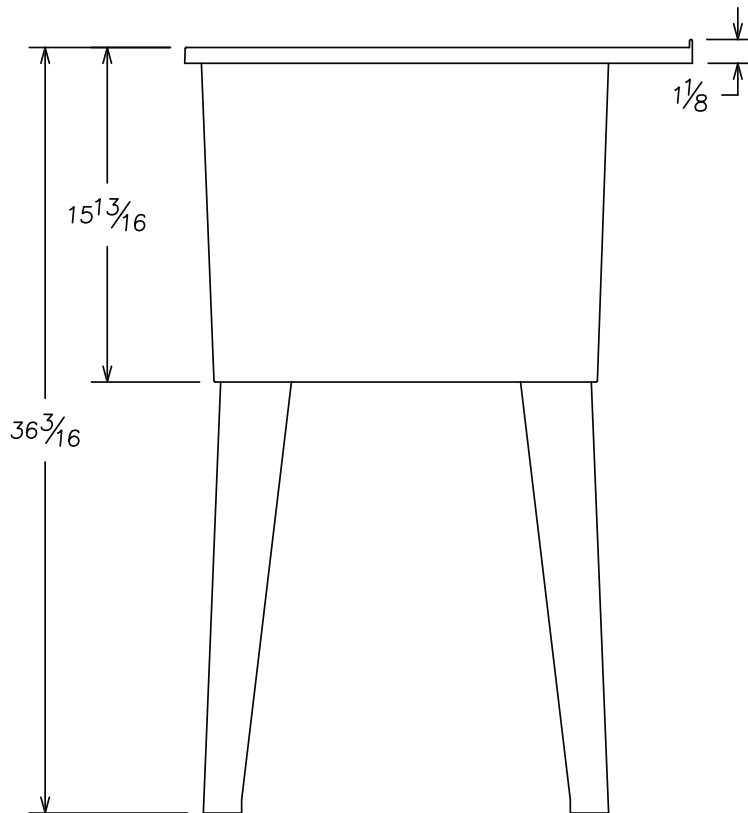
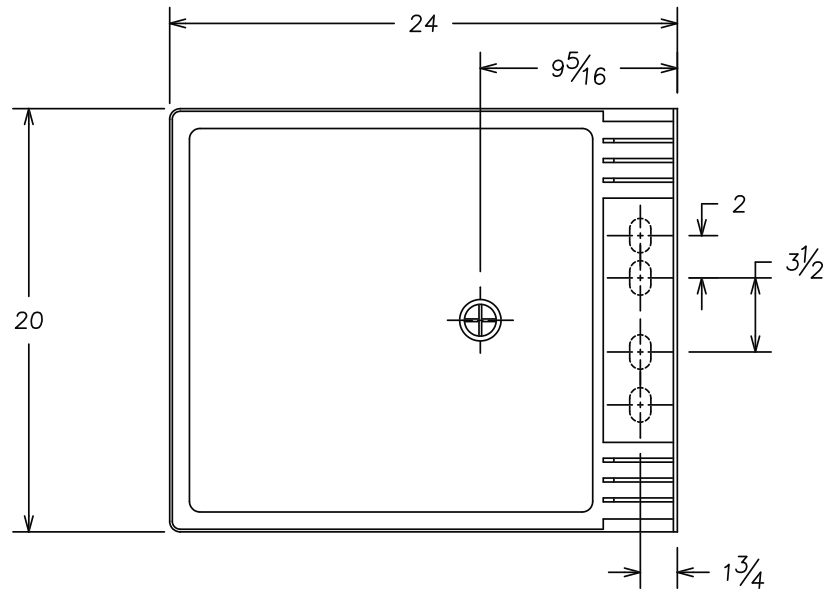
NOTES

OPTIONS

- Deck type faucet (4" center set) with 6 3/4" spout. (A-1)
- Overflow pipe with "O" ring to fit 1 1/2" strainer. (A-2)
- Polypropylene faucet block, 5 1/8" x 1 1/2" x 1 1/4" for installing clamp-on or integral clamp faucets to deck to accept over head water supplies. (A-3)
- Faucet for top supplies. Clamps on with swing spout and angled nose end. (A-17)
- Deck type faucet (8" center set) with spout. (A-18)



FIAT PRODUCTS
A CRANE PLUMBING COMPANY



FIAT PRODUCTS
A CRANE PLUMBING COMPANY

IMPORTANT: Roughing-in dimensions may vary 1/2" and are subject to change or cancellation without prior notice.