

**TERRAZZO
12" MOP SERVICE BASIN**

- One piece, precast terrazzo made of black and white marble chips in gray portland cement to produce a compressive strength not less than 3000 P.S.I. seven days after casting.
- Terrazzo surface shall be ground and polished with all air holes or pits grouted and excess removed.
- Shoulders shall be not less than 12" high outside and 10" inside at lowest wall. Shoulder width not less than 2" on all sides with a 1/4" pitch towards the inside.
- Standard drain body is stainless steel cast integrally and provides for a caulked lead connection not less than 1" deep to a 3" pipe.
- Stainless steel strainer # 1453BB

Options

- QDC quick drain connectors
- Integral galvanized tiling flanges available at no additional charge.
- Stainless steel tiling flanges available with up-charge. Must be custom order.
- Chrome plated brass drain or Vandal proof drain. Must be custom order.

- TSB100, TSB300, TSB500, TSB700 Series** with stainless steel caps on all curbs
- TSB200, TSB400, TSB600, TSB800 Series** with plain curbs
- TSBC6000, TSBC6001, TSBC6002 Neo-corner Series** with plain curbs
- TSBC6010, TSBC6011, TSBC6012 Neo-corner Series** with stainless steel caps on all curbs

Optional Components:

- 830AA** Mop Service Basin Fitting
- 832AA** Hose & Hose Bracket
- 1239BB** Aluminum Bumperguard with Vinyl Insert
- 833AA** Silicone Sealant
- MSG** Wall Guards - Stainless Steel
 - Wall Guards are manufactured of heavy gauge stainless steel and help protect walls adjacent to Mop Basin. Two panels are required for corner installations. Optional third panel is required for a recessed installation. (MSG2424; MSG2828; MSG3232; MSG3624; MSG3636)

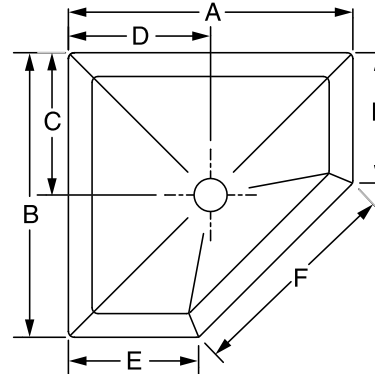
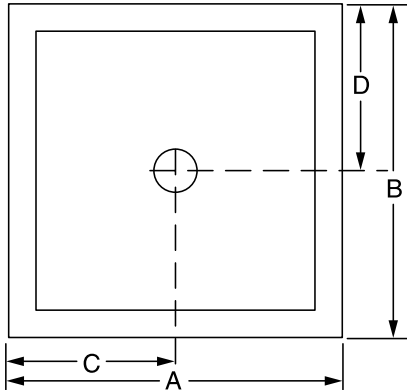


Shown: TSB500

SEE REVERSE FOR ROUGHING-IN DIMENSIONS

NOTES: Terrazzo Mop Basins **must** be installed on a 1/2" layer of mortar in order that the mop basin be level and to prevent cracking. Failure to install terrazzo without a mortar bed will void the warranty. Installations require a 1/4" clearance between mop basin and wall.

CERTIFICATIONS:

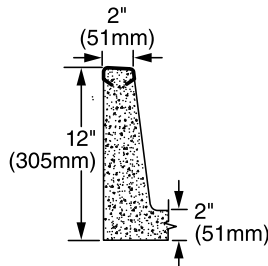


Series TSB100
With Stainless Steel Caps On All Curbs

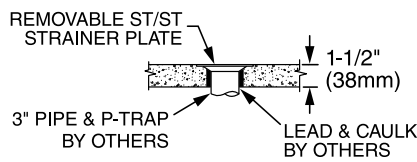
MODEL	SIZE	A	B	C	D
TSB100	24" x 24" x 12"	24	24	12	12
TSB300	32" x 32" x 12"	32	32	16	16
TSB500	36" x 36" x 12"	36	36	18	18
TSB700	36" x 24" x 12"	36	24	18	12

Series TSBC6010
With Stainless Steel Caps On All Curbs

MODEL	SIZE	A	B	C	D	E	F
TSBC6010	24" x 24" x 12"	24	24	12	12	11	18-1/4
TSBC6011	32" x 32" x 12"	32	32	12	12	14	25-3/8
TSBC6012	36" x 36" x 12"	36	36	12	12	18	25-3/8



ST/ST CAP DETAIL



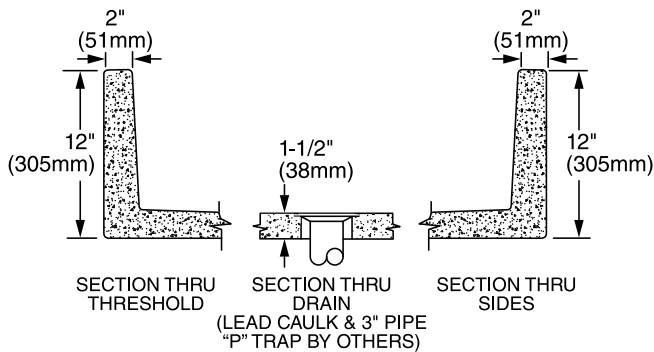
SECTION THRU DRAIN

Series TSB200
With Plain Curbs

MODEL	SIZE	A	B	C	D
TSB200	24" x 24" x 12"	24	24	12	12
TSB400	32" x 32" x 12"	32	32	16	16
TSB600	36" x 36" x 12"	36	36	18	18
TSB800	36" x 24" x 12"	36	24	18	12

Series TSBC6000
With Plain Curbs

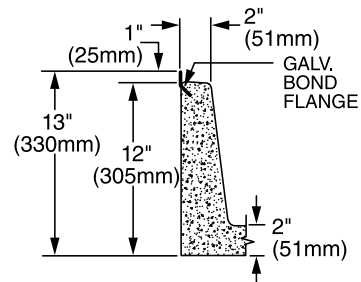
MODEL	SIZE	A	B	C	D	E	F
TSB6000	24" x 24" x 12"	24	24	12	12	11	18-1/4
TSB6001	32" x 32" x 12"	32	32	12	12	14	25-3/8
TSB6002	36" x 36" x 12"	36	36	12	12	18	25-3/8



SECTION THRU THRESHOLD

SECTION THRU DRAIN
(LEAD CAULK & 3" PIPE "P" TRAP BY OTHERS)

SECTION THRU SIDES



OPTIONAL GALV. TILING FLANGE

IMPORTANT: Roughing in dimensions may vary 1/2" and are subject to change or cancellation without prior notice.