

ADAF SHOWER FLOOR

ADAF3636
ADAF6030
ADAF6036



Shower Floor
High Gloss Gelcoat Finish

FEATURES

- **ADAF 3636**

39" x 38 1/2" outside (nominal). One piece construction shower module.

This unit is made of sanitary grade polyester high gloss gelcoat with reinforced composite matrix. This unit shall have a fire rating of "B" and a flame spread of less than 75.

The shower floor shall have a slip-resistant, textured finish, integral molded drain with chrome plated strainer and shall be installed in a pit 1 3/4" deep so the finished floor will be level with the top of the threshold.

It is required that the shower floor be set in a mortar base, leveled and any clearances between the pit opening and the shower floor be filled with mortar. Shimming is necessary. It is recommended that a floor drain at or near the entrance to the shower be included.

- **ADAF 6030**

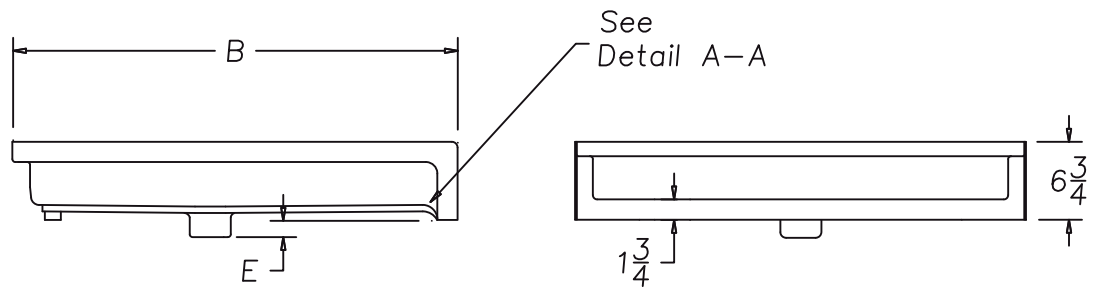
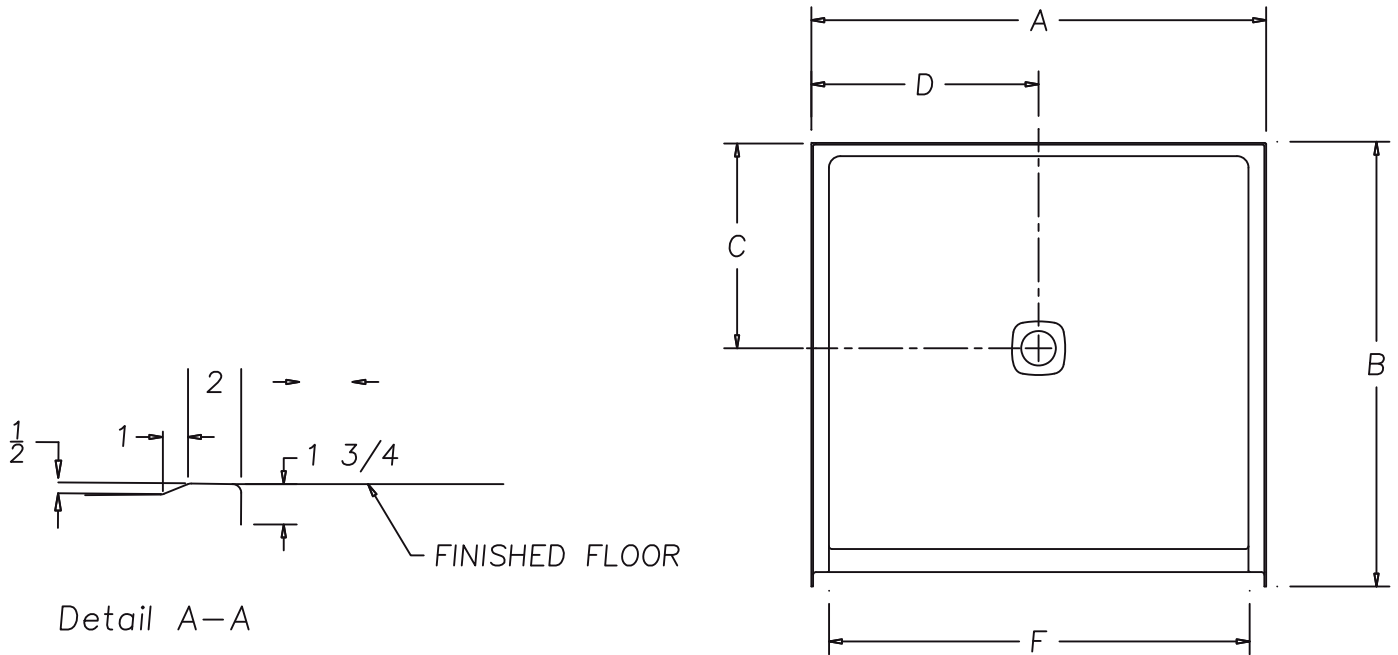
Same as above except 64" x 33"

- **ADAF 6036**

Same as above except 63 1/2" x 38 1/2"

A DAF SHOWER FLOOR

Shower Receptor



| MODEL | A | B | C | D | E | F |
|-----------|---------|---------|---------|---------|--------|---------|
| ADAF-3636 | 39" | 38 1/2" | 17 3/4" | 19 1/2" | 1 1/2" | 36" |
| ADAF-6030 | 64" | 33" | 17 3/4" | 32" | 1 1/2" | 60 3/4" |
| ADAF-6036 | 63 1/2" | 38 1/2" | 19" | 31 3/4" | 1 1/2" | 60 1/4" |