

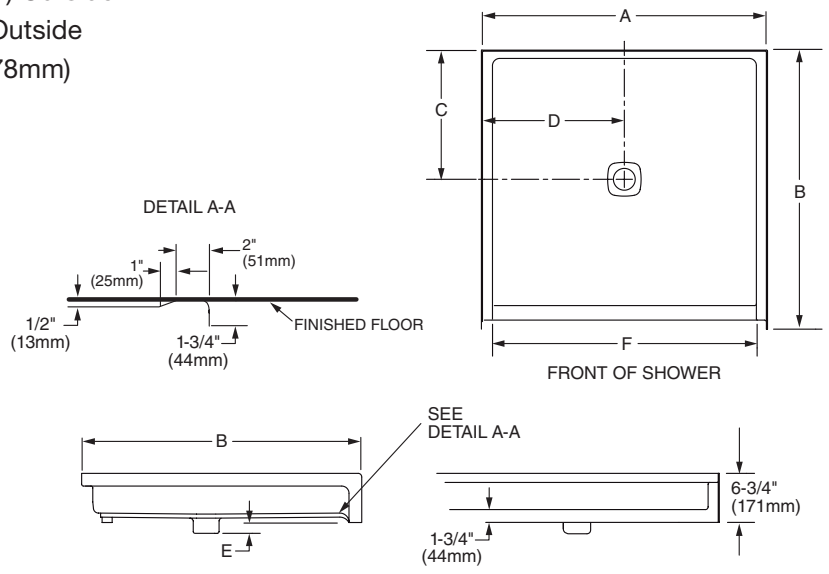
**One-Piece Construction
Shower Floors**

- Made of sanitary grade polyester high gloss gelcoat with reinforced composite matrix. Fire rating of "B" and a flame spread of less than 75.
- Slip-resistant, textured finished floor.
- Integral drain with chrome plated strainer and shall be installed in a pit of 1-3/4" deep so the finished floor will be level with the top of the threshold.
- It is required that the shower floor be set in a mortar base, leveled and any clearances between the pit opening and the shower floor be filled with mortar. Shimming is necessary. It is recommended that a floor drain at or near the entrance to the shower be included.



Nominal Dimensions:

- ❑ **ADAF3636** 39" x 38-1/2" (991 x 978mm) Outside
- ❑ **ADAF6030** 64" x 33" (1626 x 838mm) Outside
- ❑ **ADAF6036** 63-1/2" x 38-1/2" (1613 x 978mm) Outside



MODEL	A	B	C	D	E	F
ADAF-3636	39" (991mm)	38-1/2" (978mm)	17-3/4" (451mm)	19-1/2" (495mm)	1-1/2" (38mm)	36" (914mm)
ADAF-6030	64" (1626mm)	33" (838mm)	17-3/4" (451mm)	32" (813mm)	1-1/2" (38mm)	60-3/4" (1543mm)
ADAF-6036	63-1/2" (1613mm)	38-1/2" (978mm)	19" (483mm)	31-3/4" (806mm)	1-1/2" (38mm)	60-1/4" (1530mm)

ADA MEETS THE AMERICANS WITH DISABILITIES ACT GUIDELINES AND ANSI A117.1 REQUIREMENTS FOR ACCESSIBLE AND USEABLE BUILDING FACILITIES-CHECK LOCAL CODES.

Customer Service Canada
1-800-387-0369
www.fiat.ca

© 2019 Fiat Products

PART OF **LIXIL**

FIAT
QUALITY FOR LIFE

Customer Service United States
1-800-442-1902
www.fiatproducts.com