



# HOW TO INSTALL A.D.A. BARRIER FREE SHOWER BASES

**NOTE: DO NOT STORE UNITS OUT OF DOORS - KEEP OUT OF SUN-LIGHT.**

Keep the unit cartoned all the way to the bathroom site for added protection. Unit should be handled with care.

## Preparation for Installation

Study all job prints, specifications, and instructions. Check and verify dimensions on job print with job conditions, and check level and quality of subfloor.

**NOTE:** Check plans for pit requirements. A.D.A. units with a wheelchair entry must be dropped into a pit or elevate the entire bathroom floor. A ramp can also be built leading to the unit. (See Figure 1)

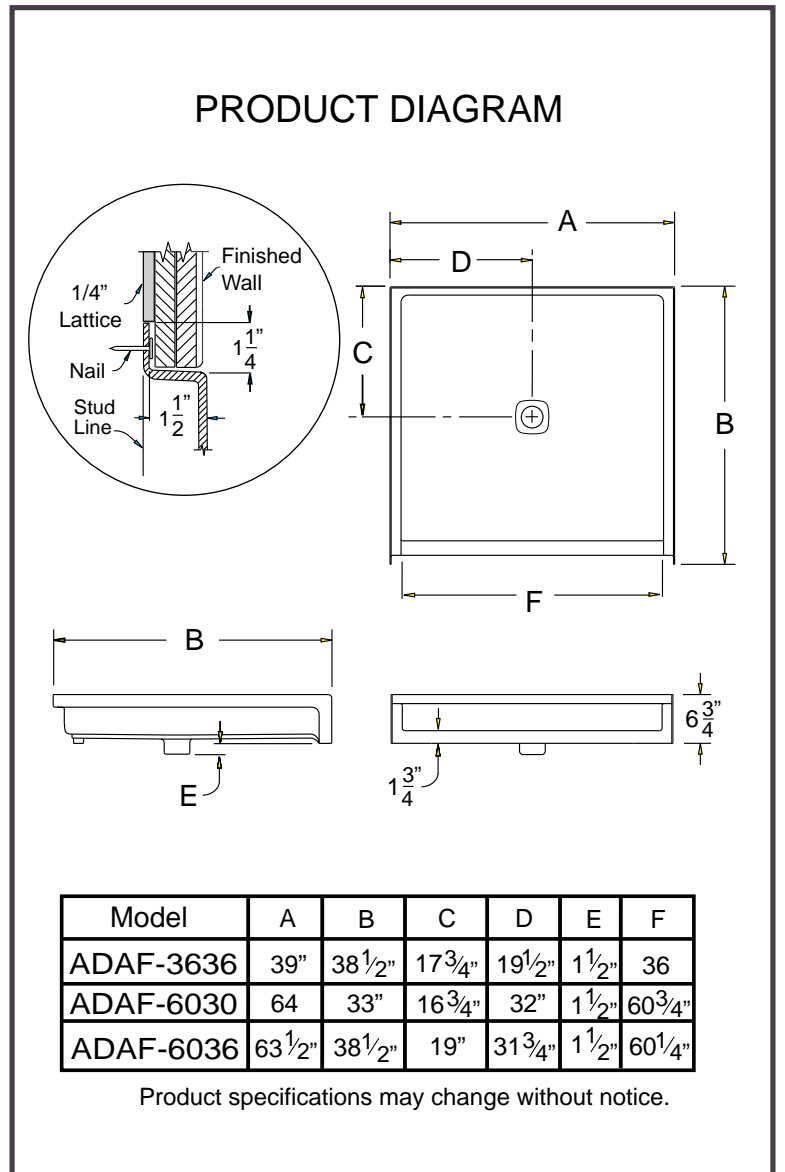
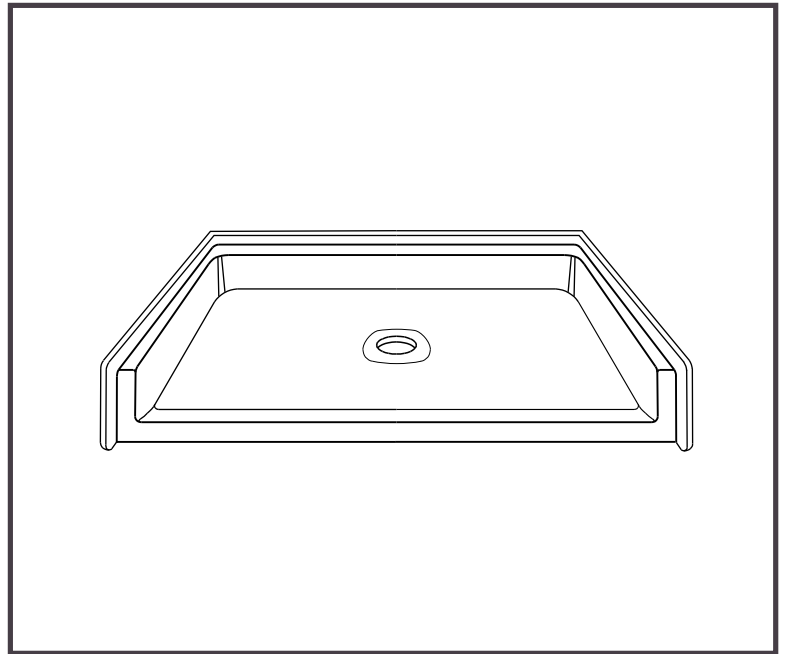
It is recommended that units be set in a bed of mortar, making sure that the units are properly leveled and shimmed where necessary.

With installations where plumbing is adjacent to masonry wall, access to plumbing connections must be provided. It is recommended to build a separate plumbing wall 6" from masonry wall. When rear of shower is against masonry wall, install furring strips on wall.

If fire walls are specified, finished fire rated drywall or equivalent should be in place before unit is installed.

**NOTE:** CR/PL, L.L.C. is not responsible for limited version units meeting A.D.A. guidelines for proper component selection and component placement. The installer is responsible for adhering to all A.D.A. guidelines pertaining to the selection, installation, and placement of components.

See applicable PRODUCT DIAGRAM for dimensional information when planning the framed pocket.



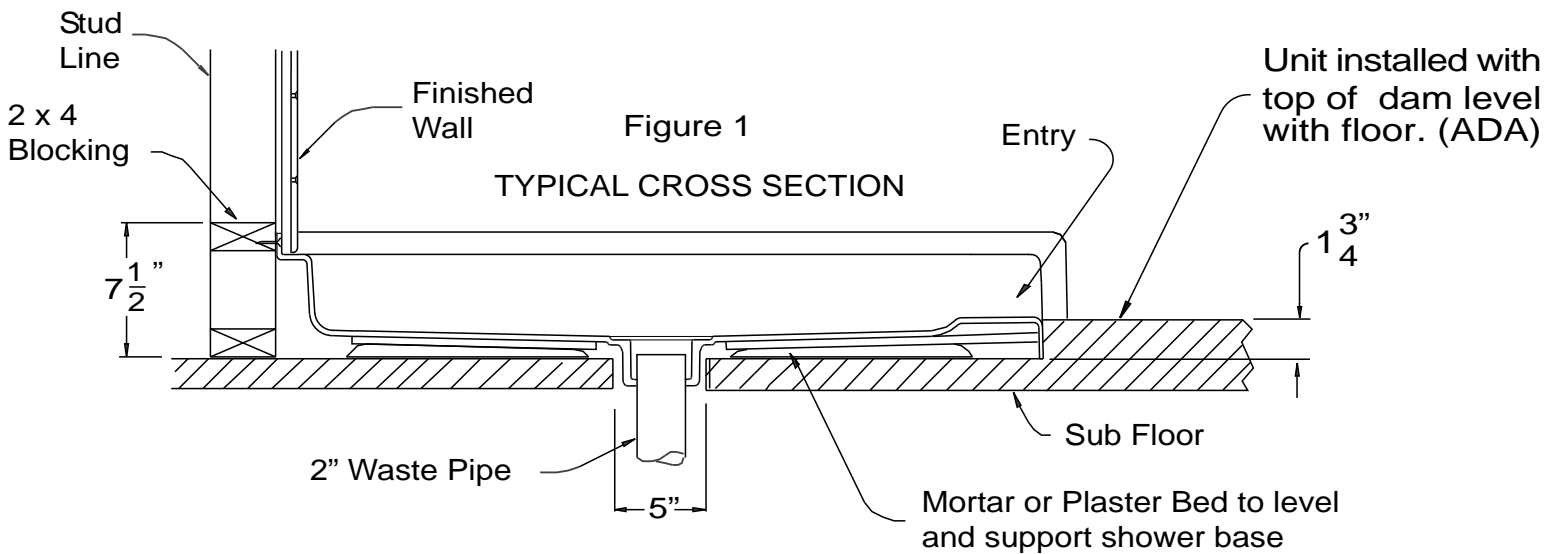
# INSTALLATION

**Important: Read complete instructions before beginning installation**

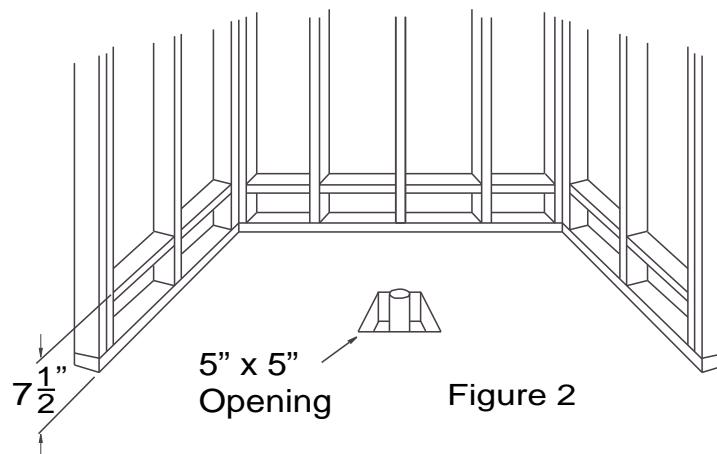
Upon receipt of the shower base, immediately inspect it for damage or defects. If any are noted, Do Not install the shower base. Contact the FIAT Products Repair Department at (800) 759-7744.

Plan the installation in relation to the finished wall materials. The shower base has a flat area 1-3/8" wide along the sides and back to accommodate finished wall materials. If a shower door is used, the finished surface of the side walls should be even with the shower base opening size "F" in the PRODUCT DIAGRAM. This is necessary in order to install the door correctly.

The shower base can be installed with the dam at floor level. This is **REQUIRED** to meet ADA (Americans with Disabilities Act). This can be accomplished two ways: Recess the unit 1-3/4" below the finished floor level or elevate the entire bathroom floor 1-3/4". A ramp can also be built leading to the unit. If the unit is recessed into the floor, be sure that a solid structural sub floor, in accordance with good building practice, has been constructed beneath the shower unit.



Make sure your framed pocket is square and plumb in accordance with rough-in dimensions shown in the appropriate PRODUCT DIAGRAM.



Provide an opening in the sub floor no less than 5" x 5" square. This opening should be centered on the shower base drain hole. (See PRODUCT DIAGRAM). The opening should accommodate the drain receptor, and a 2" waste pipe.

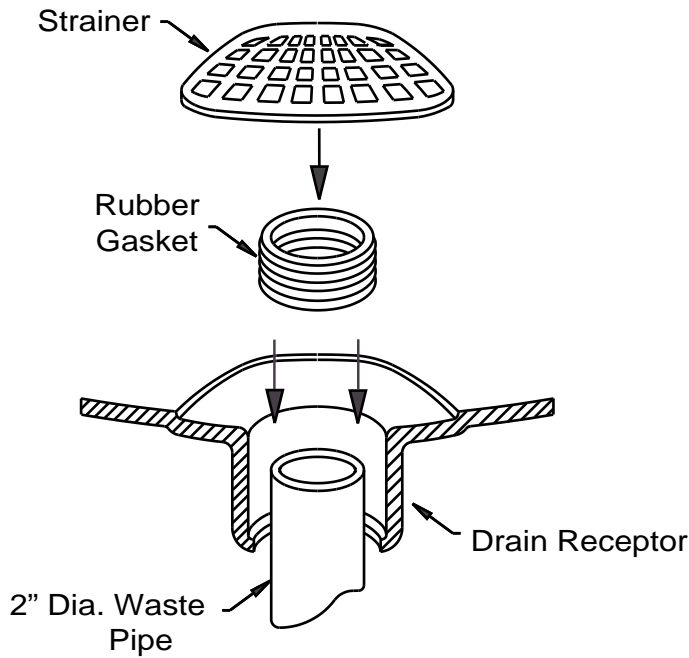


Figure 3

Typically, the waste pipe is installed through the shower drain receptor as the shower base is lowered into position. After shower is in final position, apply lubricant (such as mineral oil) to the rubber gasket and slip it over the drain pipe. Push the gasket to the bottom of the receptor to seal.

If access to the drain pipe can be gained from below, such as a basement, or crawlspace, the drain pipe can be installed after the shower base has been placed and attached to the studs.

Apply a grid pattern of mortar or plaster to the sub floor in the alcove. With the drain receptor passing over the waste pipe slowly lower the shower base into place. Push down firmly until the base is level in all directions. See Figure 4.

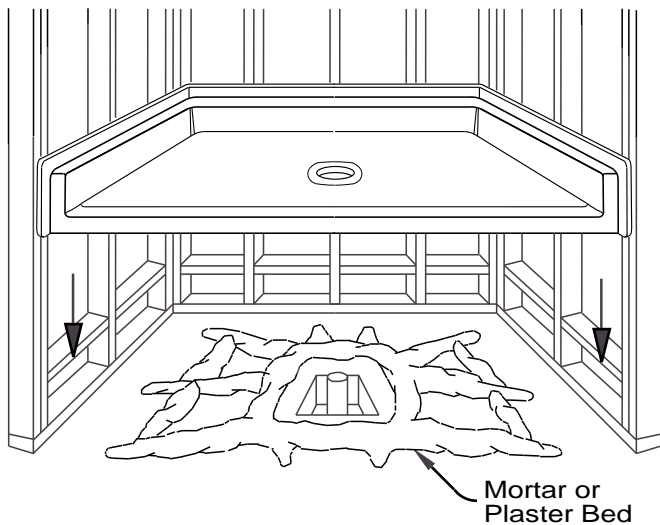


Figure 4

When the base is level and the bottom edge of the dam is fully in contact with the sub floor, attach it to the framing through the mounting flanges.

Pre drill pilot holes, and countersink. Attach with drywall screws or galvanized roofing nails into the blocking and wall studs every 8" inches.

Apply 1/4" lattice strips to the face of the framing above the shower base. Install the wallboard to this surface, covering the mounting flanges.

To make the finished wall surface even with the shower entry, it may be necessary to double layer the wallboard. This may depend on the finished wall materials used. Figure 5 shows a typical installation with two layers of 1/2" wallboard and a ceramic tile surface.

Caulk gap between shower and bottom of wall.

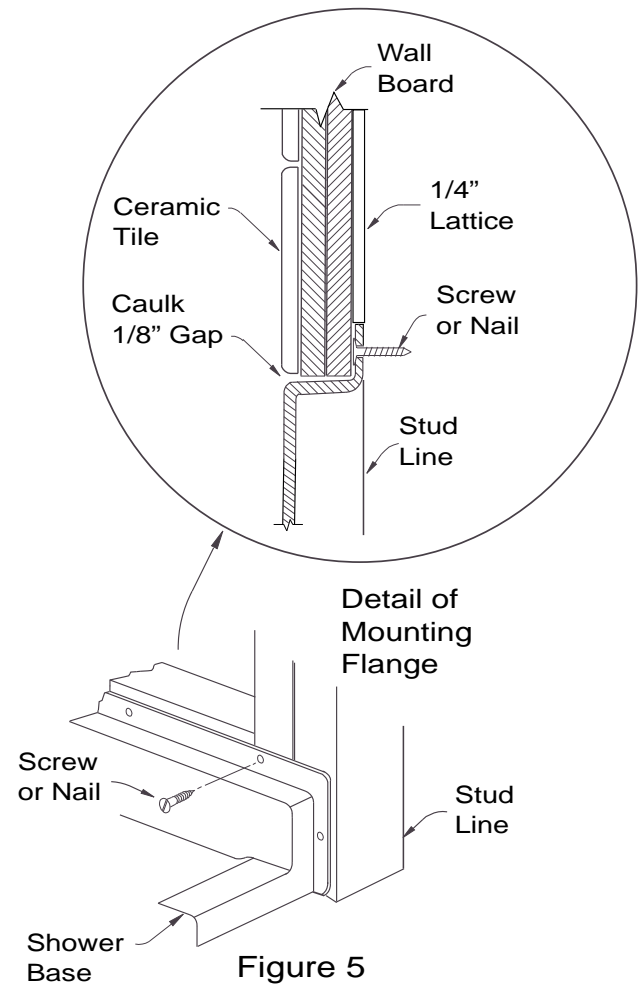
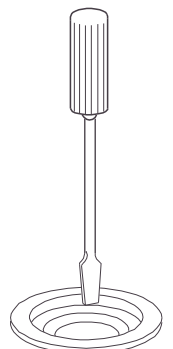


Figure 5

Using a large screwdriver make certain the rubber gasket is seated to the bottom of the drain receptor.

Finish the installation by snapping the strainer into place.

NOTE: Watertight installation of the drain is installers responsibility. Drain leakage is excluded from the limited warranty.



# Shower Base Care and Cleaning

This shower base has been specifically designed and engineered to exceed demanding strength and stress factors required for use. It is stain resistant, high gloss finish.

Like any fine finish, it requires reasonable care to maintain its beauty and luster.

Day-to-day cleaning: Wash with warm water, a soft cloth, and mild liquid detergent.

For stubborn stains: Use a Non-Abrasive, liquid detergent cleaner, applied using a soft cloth. More persistent stains, tar, or paint can be removed with naphtha or mineral spirits. Remove excess plaster by scraping with a sharpened soft wood stick. Avoid wire brushes, metal scrapers, or tools.

**NEVER USE ABRASIVE SCOURING POWDERS, SOLVENT BASED CLEANSERS, OR SCOURING PADS AS THEY TEND TO DULL THE FINISH.**

To enhance the luster: Dulled areas may be restored or light scratches removed by rubbing with automotive type body cleaning compound.

If automotive compound is used, it should be followed by a light application of automotive paste wax or Novis Plastic Polish No.1.

**Caution:** Dry cleaning agents and solvents will damage the surface. Burning cigarettes should not be allowed to come into contact with the surface or discoloration may ensue.

### Caution:

If you use a RUBBER FLOOR MAT in this shower unit it must be removed after each usage. If left in the unit it may cause blisters or damage to the surface finish.

**NOTE:** We recommend URC Fiberglass Tub and Shower Cleaner. Ask for it where you purchased your new unit.

Packing List	
Qty.	Description
1	Shower Floor
1	Drain Gasket ( Qic-2 Rubber Gasket)
1	Strainer ( Stainless Steel)

## LIMITED WARRANTY

CR/PL warrants its plumbing products against defects in material and workmanship for the following periods following installation:

Three Years: Fiberglass Bathing Fixtures (but not the fixtures thereto).

CR/PL, at its discretion, will repair, replace, or make an appropriate adjustment when an inspection by a manufacturer representative reveals that such defects have occurred under normal usage within the warranty period. The party making the warranty claim will provide evidence of either date of purchase or installation at the time of inspection. CR/PL shall be responsible for no other damages or liability whatsoever, consequential or otherwise, nor for labor, transportation or other expenses.

Since local code requirements vary greatly throughout the country, distributors, dealers, installation contractors, and users of plumbing products should determine whether there are any code restrictions on the use of a specific product. CR/PL makes no representation or warranty regarding, and shall not be responsible for, any code compliance.

**THIS WARRANTY, AND THE EXPRESSED REMEDIES THEREUNDER, IS THE ONLY WARRANTY MADE WITH RESPECT TO THE PRODUCTS SOLD BY CR/PL, AND CR/PL MAKES NO OTHER WARRANTY, EXPRESSED OR IMPLIED WITH RESPECT TO SUCH PRODUCTS, INCLUDING (WITHOUT LIMITATION) WARRANTIES OF MERCHANTABILITY AND WARRANTIES OF FITNESS OR SUITABILITY FOR ANY PARTICULAR PURPOSE.**

Some states do not allow limitations on how long an implied warranty lasts, or the exclusion or limitation of incidental or consequential damages, so this limitation and exclusion may not apply to you. This warranty gives you specific legal rights. You may also have other rights which vary from state to state.