

HOW TO INSTALL MOLDED STONE[®] SHOWER BASES

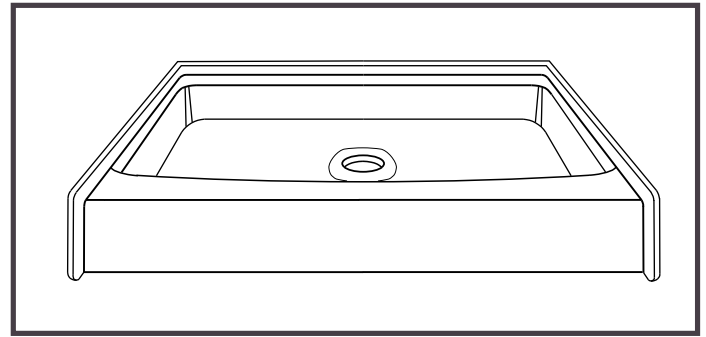
NOTE: DO NOT STORE UNITS OUT OF DOORS - KEEP OUT OF SUNLIGHT.

Keep the unit cartoned all the way to the bathroom site for added protection. Unit should be handled with care.

When installing unit, lay cardboard or a drop cloth on the unit floor to protect it from damage.

Preparation for Installation

Study all job prints, specifications, and instructions. Check the level and quality of sub floor.

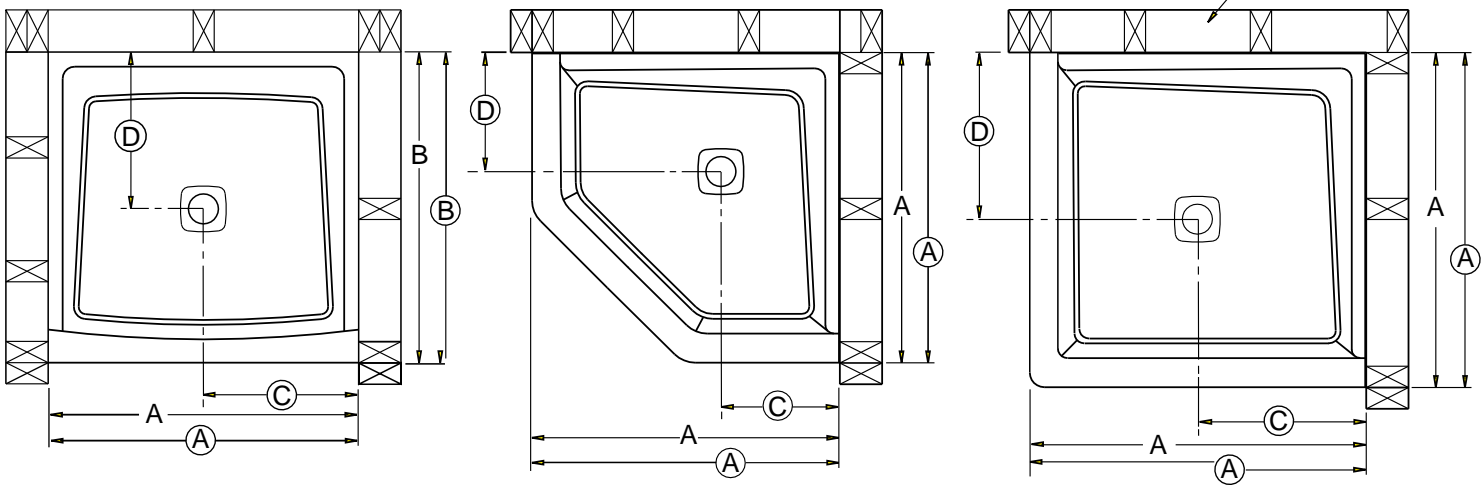


An opening in the slab or sub floor must be provided to permit the molded in drain boss to extend below the floor surface. The opening should be 5" x 5" minimum in size.

See the applicable **PRODUCT DIAGRAM** for the dimensional information of the product you are installing when planning the framed pocket.

Space studs on fitting wall to provide room to install control valves and water supply pipes.

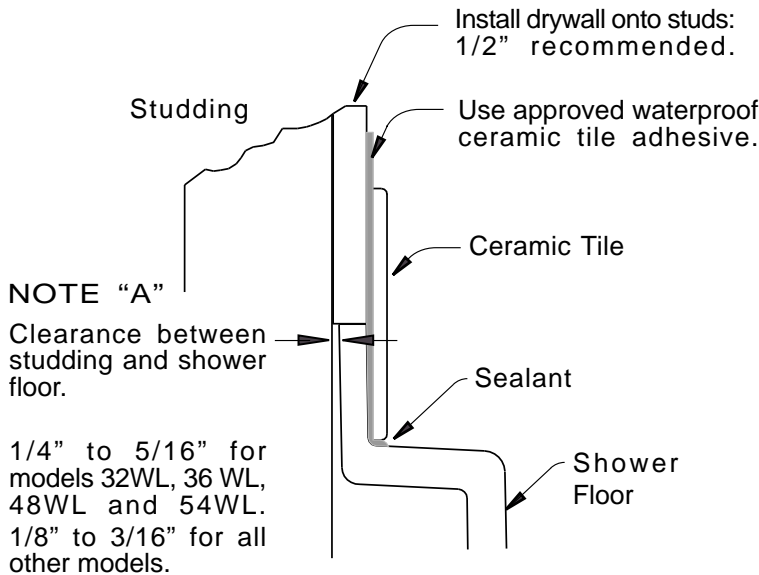
PRODUCT DIAGRAMS ROUGHING-IN DIMENSIONS SHOWN IN CIRCLES



MODEL NO.	NOMINAL SIZE		ACTUAL SIZE ± 1/16		ROUGHING - IN DIMENSIONS				APPROX. SHIPPING WT. lbs.
	A	B	A	B	(A)	(B)	(C)	(D)	
32WL	32	32	32	32	32-3/8	32-3/16	16-3/16	16-1/8	29
34WL	34	34	34-1/4	34-1/4	34-5/8	34-7/16	17-5/16	17-1/4	31
36WL	36	36	36	36	36-3/8	36-3/16	18-3/16	18-1/8	34
42WL	42	34	42	34	42-3/8	34-3/16	21-3/16	17-1/8	36
48WL	48	34	48	34	48-3/8	34-3/16	24-3/16	17-1/8	42
54WL	54	54	54-3/8	34-1/4	54-11/16	34-9/16	27-3/8	17-5/16	47
60WL	60	34	60	34	60-3/8	34-3/16	30-3/16	17-1/8	51
34WLD	34	34	34-1/4	34-1/4	34-7/16	34-7/16	17-1/4	17-1/4	34
36WLD	36	36	36-1/4	36-1/4	36-7/16	36-7/16	18-1/4	18-1/4	36
36WLC	36	36	36	36	36-3/16	36-3/16	12-3/16	12-3/16	36
38WLC	38	38	38-1/4	38-1/4	38-7/16	38-7/16	12-5/16	12-5/16	39
4242WL	42	42	42	42	42-1/4	42-1/4	21-1/8	21-1/8	48
4832WL	48	32	48-3/16	32-1/8	48-1/2	32-1/4	24-1/4	16-1/8	41

Place shower floor in studded alcove. To level shower floor, place level across dam and along side. Shim if required using durable material. Space unit in alcove as indicated in Note "A". Shower floor is not fastened to the studs.

If using drywall for shower walls, be sure to waterproof wall surface. Use waterproof adhesive when installing ceramic tile.

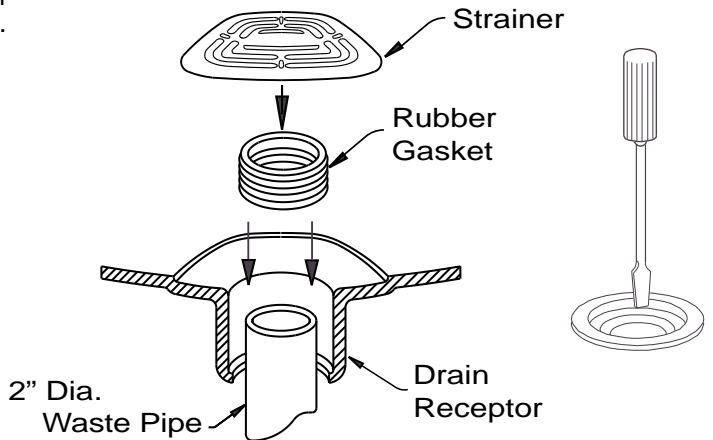


Install shower drain fitting. Slip 2" diameter pipe (supplied by installer) through shower drain hole in receptor.

Install Rubber Gasket over the drain pipe. Use a screw driver to make sure the gasket is seated to the bottom of the drain receptor.

Complete installation by snapping Strainer into place.

NOTE: Watertight installation of the drain is installers responsibility. Drain leakage is excluded from the limited warranty.



Shower Base Care and Cleaning

This shower base has been specifically designed and engineered to exceed demanding strength and stress factors required for use. It is stain resistant, semi gloss finish. Like any fine finish, it requires reasonable care to maintain its beauty and luster.

Day-to-day cleaning: Wash with warm water, a soft cloth, and mild liquid detergent.

For stubborn stains: Use a Non-Abrasive, liquid detergent cleaner, applied using a soft cloth. More persistent stains, tar, or paint can be removed with naphtha or mineral spirits. Remove excess plaster by scraping with a sharpened soft wood stick. Avoid wire brushes, metal scrapers, or tools.

NEVER USE ABRASIVE SCOURING POWDERS, SOLVENT BASED CLEANSERS, OR SCOURING PADS AS THEY TEND TO DULL THE FINISH.

NOTE: We recommend **URC Fiberglass Tub and Shower Cleaner**. Ask for it where you purchased your new unit.

Packing List	
Qty.	Description
1	Shower Floor
1	Drain Gasket (Qic-2 Rubber Gasket)
1	Strainer

LIMITED WARRANTY

CR/PL warrants its plumbing products against defects in material and workmanship for the following periods following installation:

Three Years: Fiberglass Bathing Fixtures (but not the fixtures thereto).

CR/PL, at its discretion, will repair, replace, or make an appropriate adjustment when an inspection by a manufacturer representative reveals that such defects have occurred under normal usage within the warranty period. The party making the warranty claim will provide evidence of either date of purchase or installation at the time of inspection. CR/PL shall be responsible for no other damages or liability whatsoever, consequential or otherwise, nor for labor, transportation or other expenses.

Since local code requirements vary greatly throughout the country, distributors, dealers, installation contractors, and users of plumbing products should determine whether there are any code restrictions on the use of a specific product. CR/PL makes no representation or warranty regarding, and shall not be responsible for, any code compliance.

THIS WARRANTY, AND THE EXPRESSED REMEDIES THEREUNDER, IS THE ONLY WARRANTY MADE WITH RESPECT TO THE PRODUCTS SOLD BY CR/PL, AND CR/PL MAKES NO OTHER WARRANTY, EXPRESSED OR IMPLIED WITH RESPECT TO SUCH PRODUCTS, INCLUDING (WITHOUT LIMITATION) WARRANTIES OF MERCHANTABILITY AND WARRANTIES OF FITNESS OR SUITABILITY FOR ANY PARTICULAR PURPOSE.

Some states do not allow limitations on how long an implied warranty lasts, or the exclusion or limitation of incidental or consequential damages, so this limitation and exclusion may not apply to you. This warranty gives you specific legal rights. You may also have other rights which vary from state to state.