

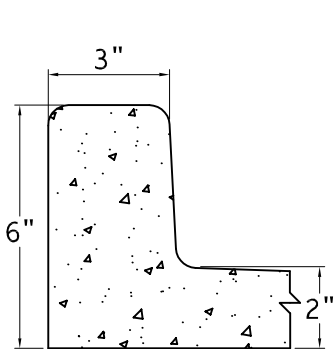
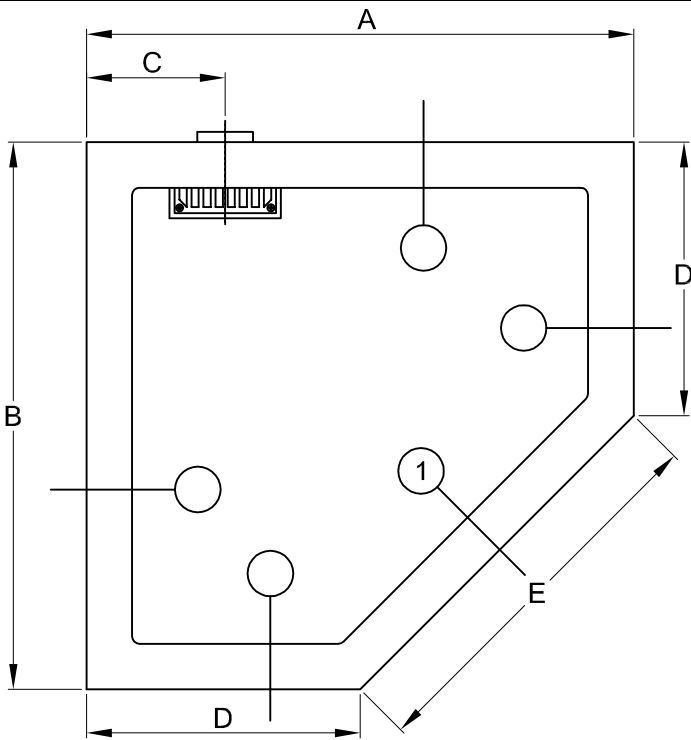
RMC NEO-CORNER GIBRALTAR - BACK OUTLET

SPECIFICATIONS

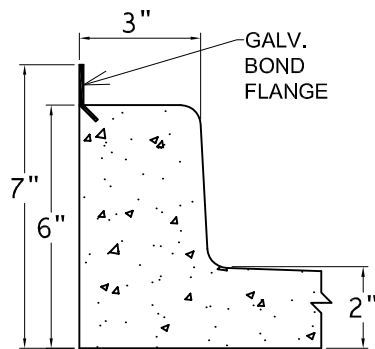
PRE-CAST TERRAZZO OF BLACK & WHITE MARBLE CHIPS IN WHITE CEMENT WITH A 2" BACK OUTLET DRAIN BODY CAST INTEGRAL WITH A REMOVABLE STRAINER PLATE.

PROCEDURE

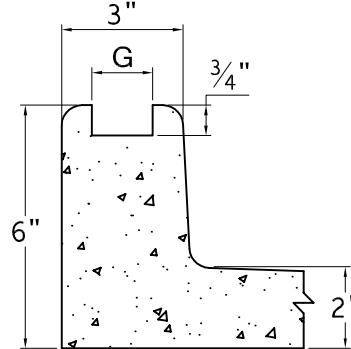
CUSTOMER SHALL FILL IN SHOULDER SECTIONS IN BALLOONS AT PLAN. IF RABBETS ARE NEEDED, FILL IN DIMENSIONS AT SECTIONS 3 & 4. RABBETS ARE TO BE 1/8" WIDER AND 1/8" LONGER THAN MARBLE SLAB. (FILL IN RABBIT SIZE DIMENSION SECTIONS)



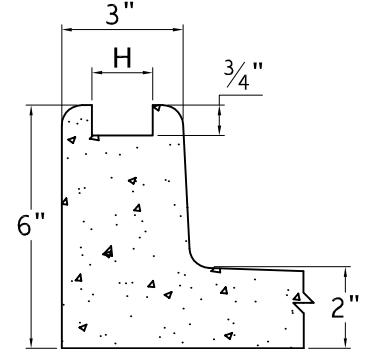
SECTION 1



SECTION 2

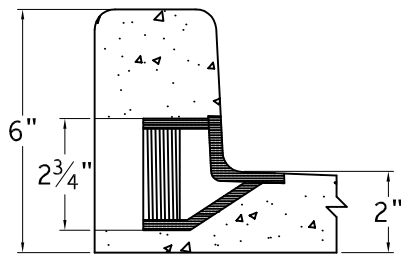


SECTION 3

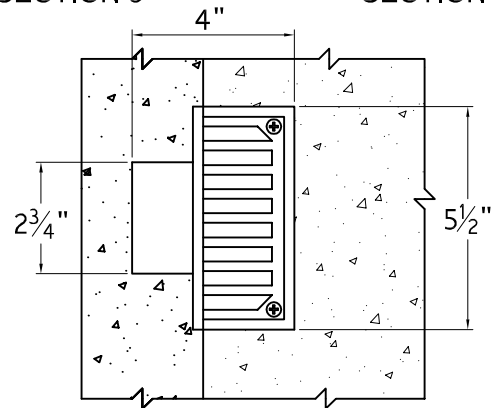


SECTION 4

* SELECT SECTION AS TO APPROPRIATE SIDE (PLAIN, FLANGED, OR RABBETS)



SECTION 5



SECTION 6

QTY	SIZE	A	B	C*	D	E	G	H

* INDICATES DRAIN LOCATION. DIMENSIONS MUST BE SPECIFIC, ESPECIALLY WITH OFFSET DRAIN.

COLOR (OTHER THAN BLACK & WHITE) _____

NOTE: ESTABLISH 1/4" INCH CLEARANCE BETWEEN SHOWER FLOOR AND WALL. IT IS IMPORTANT THAT ENTIRE AREA BETWEEN RECEPTOR AND BUILDING FLOOR HAVE A LAYER OF MORTAR IN ORDER THAT SHOWER FLOORS BE LEVEL.

NOTE: CUSTOMER TO REVIEW, VERIFY, AND APPROVE DRAWING FOR PRODUCTION. ONCE DRAWING IS SIGNED FOR APPROVAL AND SUBMITTED WITH ORDER, THE ORDER SHALL BE **NON-CANCELABLE**.

IMPORTANT: DUE TO THE NATURE OF MATERIAL AND MANUFACTURING PROCESS THE ACTUAL DIMENSIONS MAY VARY ±1/4"



CUSTOMER SERVICE
UNITED STATES
1-800-442-1902
www.fiatproducts.com

CUSTOMER SERVICE
CANADA
1-800-387-0369
www.fiat.ca

DWG. APPROVED:	DATE:
CUST: _____	
JOB: _____	
ORDER #:	